

# TRIAXDYN



## DESCRIPTION

This anti-vibration mounting comprises two elastomers which are assembled into a casting and pre-loaded.

The mounting is designed to offer :

- a large deflection (in axial),
- different stiffness in three axis,
- built-in stops to limit movement in all directions.

**Note :** The mount body can be modified to offer alternative interface dimensions providing the internal interface with the elastomer is maintained.

## APPLICATIONS

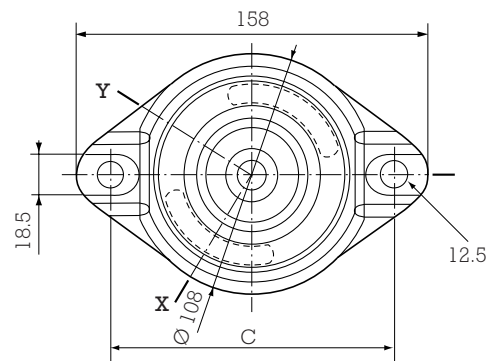
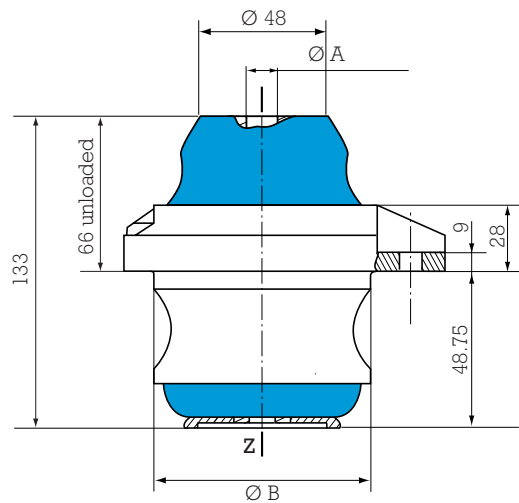
This mounting has been designed to isolate engines or cabs in fixed or mobile applications with a high level of isolation and shock protection. Its compact design enables fail safe suspension of loads from 150 to 280 kg.

It is suitable for :

- Engine mounting.
- Cab mounting.
- Equipment mounting.

## OPERATING CHARACTERISTICS AND DIMENSIONS

- Nominal load :
  - 150 to 280 kg.
 Possibility to extend, on request, the load range up to 350 kg.
- Different stiffness in three axis (for a hardness 50) :
  - Axial on Z : 500 N/mm,
  - Radial on X (in direction of voids) : 350 N/mm,
  - Radial on Y (at 90 deg. to voids) : 500 N/mm.
 The geometry of the part provides low dynamic stiffness in the vertical dimension.
- Maximum deflection :
  - Axial :  $\pm 10$  mm,  $\pm 4$  g,
  - Radial :  $\pm 6$  mm,  $\pm 2.5$  g.
- Operating temperature :
  - up to  $+ 80^{\circ}\text{C}$ .
- Salt spray protection 400 h. for external aluminium metalwork.



### Mounting :

Reference	Ø A mm	Ø B mm	C mm
905233	12.4	94	128